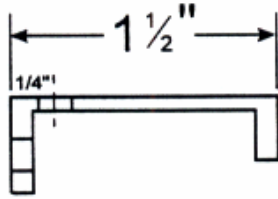
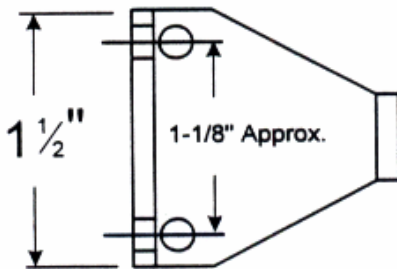
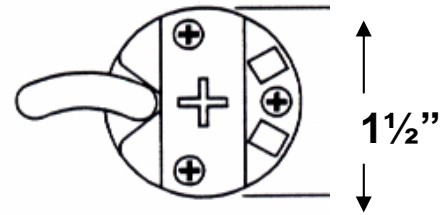


## 1440 TUBE MOTOR

### MOTOR END BRACKET

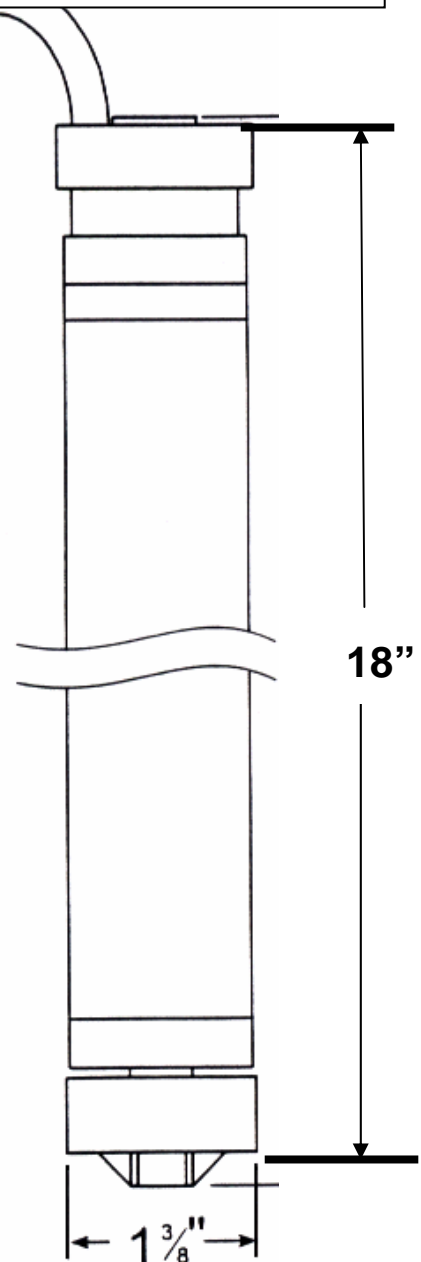
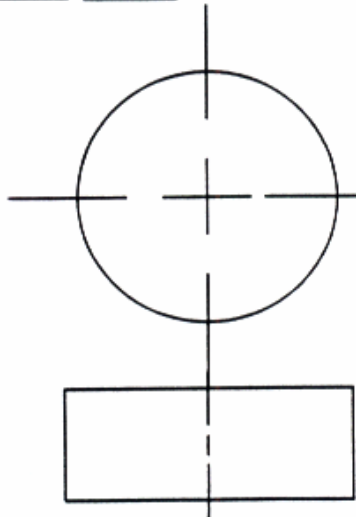
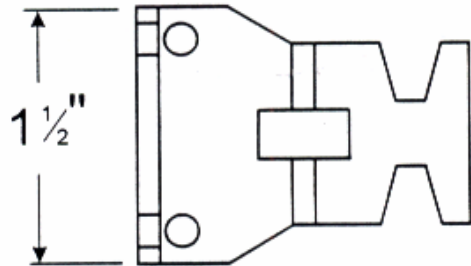
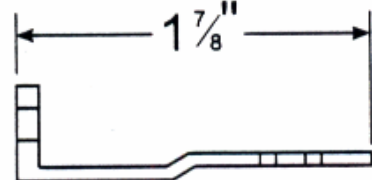


ALL HOLES:  
3/16" DIAMETER



DO NOT WIRE IN PARALLEL

### IDLER END BRACKET



For more information contact:

Am-Source International 1550 Old Rand Road, Unit A Wauconda, IL 60084 Phone: 800.876.7367