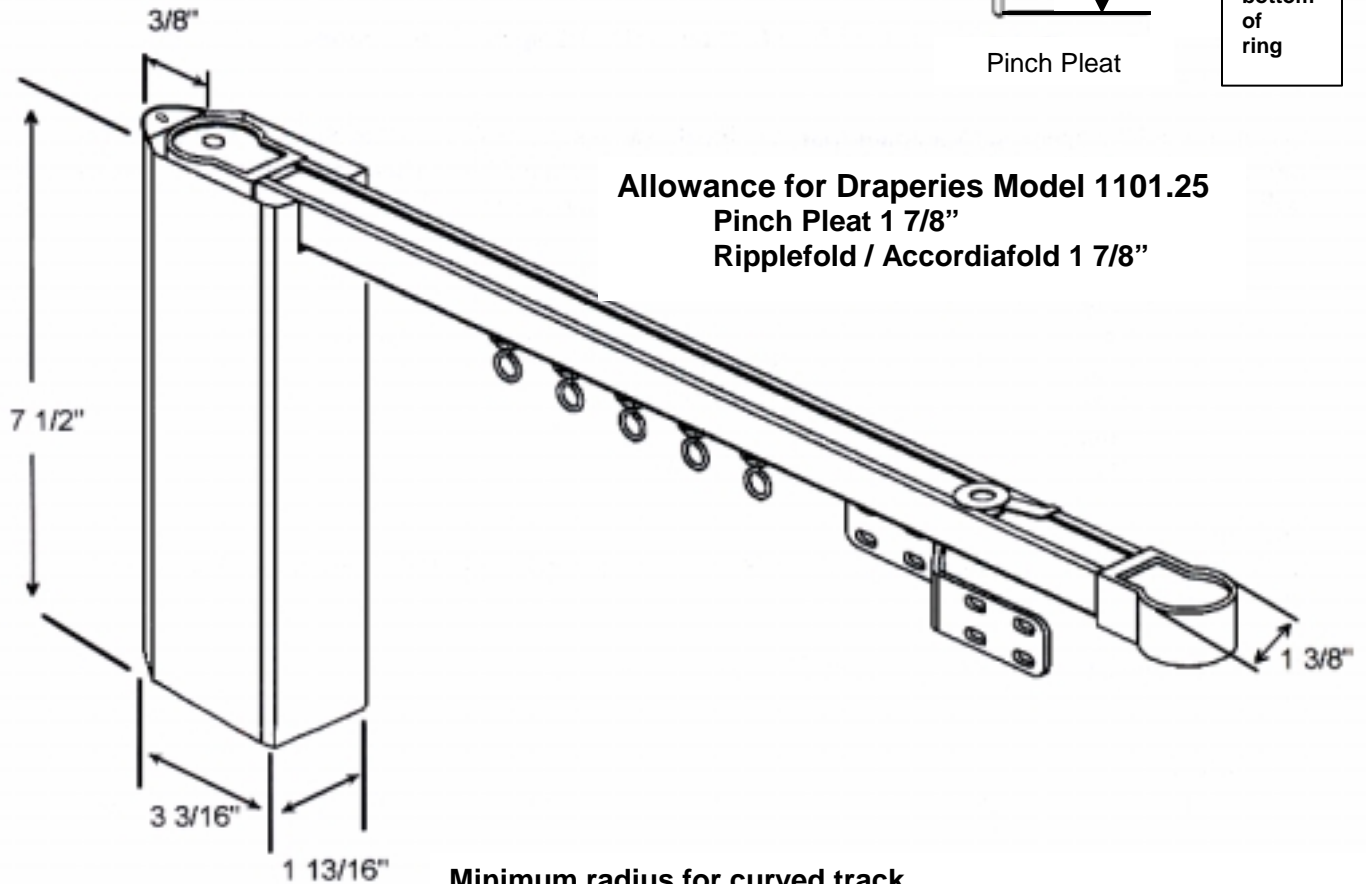
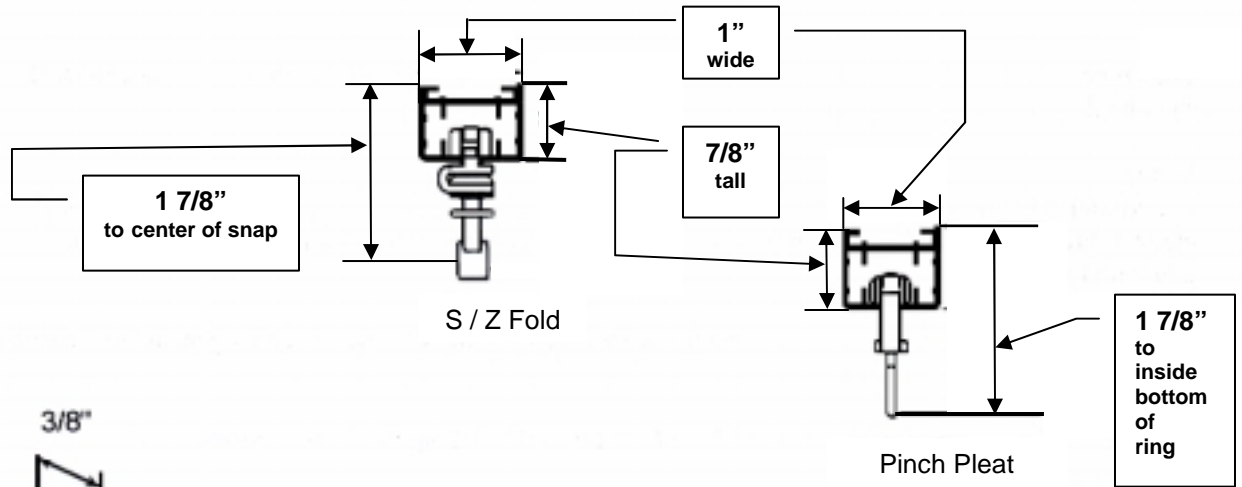


MODEL 1101.25 MOTORIZED DRAPERY



Allowance for Draperies Model 1101.25
 Pinch Pleat 1 7/8"
 Ripplefold / Accordiafold 1 7/8"

Minimum radius for curved track
 with pinch pleat carrier – 10" (in some cases 8" consult Am-Source)
 with Ripplefold / Accordiafold – 12"

For more information contact:

Am-Source International 1550 Old Rand Road, Unit A Wauconda, IL 60084 Phone: 800.876.7367