

Connecting Bridge (SPLICE) Assembly

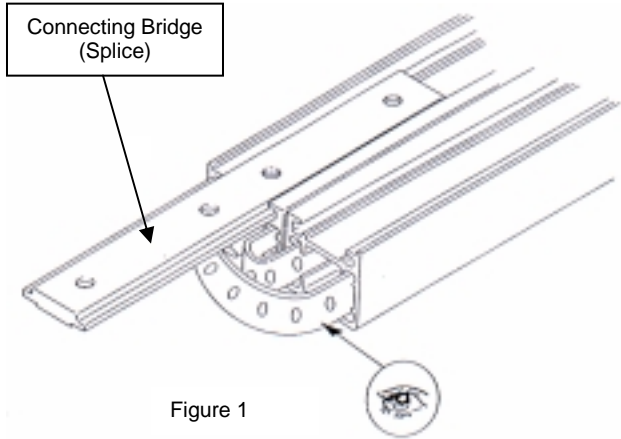


Figure 1

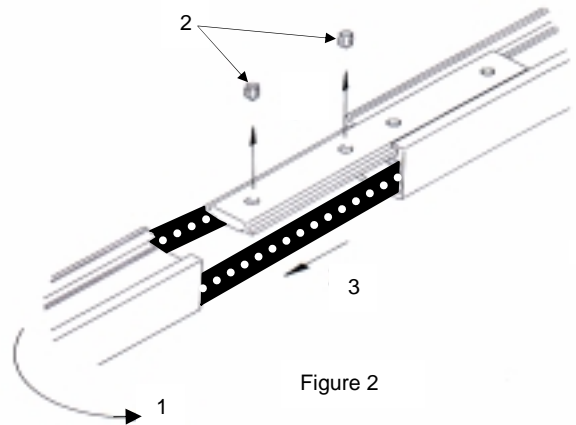


Figure 2

1. Tracks that are spliced come with the connecting bridge attached to one side of the track (figure1)

2. Assembly of Track, (See Figure 2,)

Step #1, Swing track around to the appropriate position being careful not to damage the belt inside the track.

Step #2, Loosen (2) 5/64" hex set screws in connecting bridge (splice)

Step #3, Slide the track sections together, (See Figure 2.)

(This step may require squeezing the two 5005 runners towards each other, See Figure 3, and inserting the connecting bridge (splice) at the same time...)

3. Tighten set screws firmly and check connection

4. Assembly of Overlap Master (See Figure 3) Simultaneously, squeeze runners together and insert Overlap Master into runners.

5. Snap safety clip (if supplied) into overlap master.

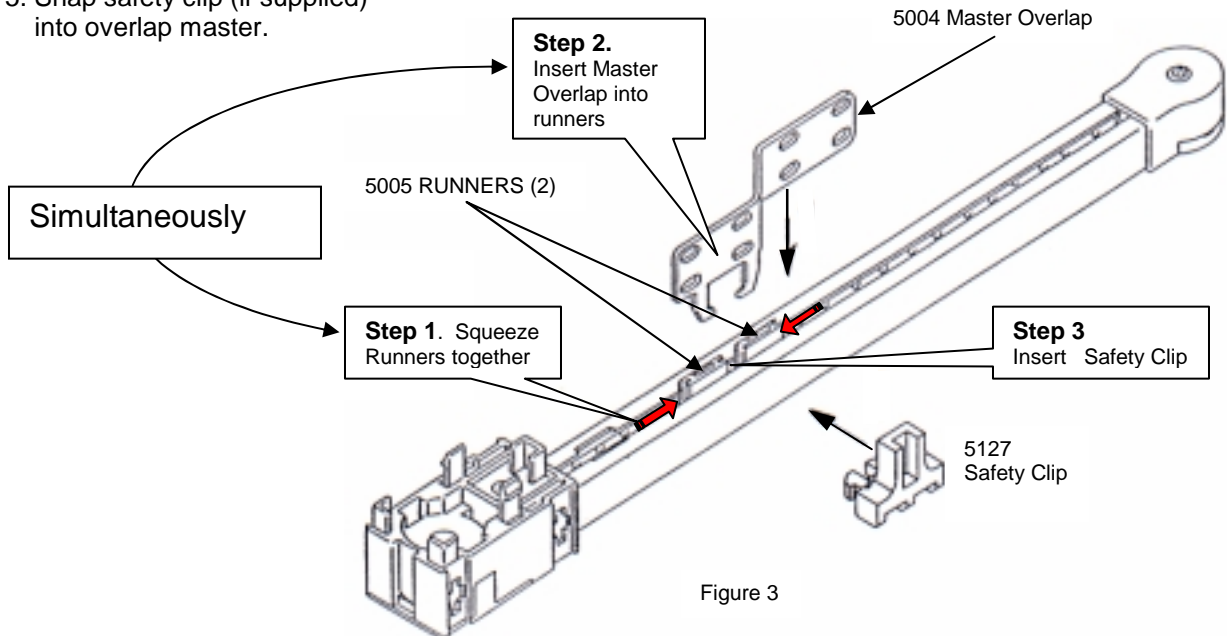


Figure 3

For more information contact: