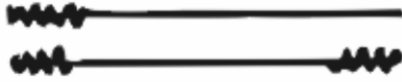





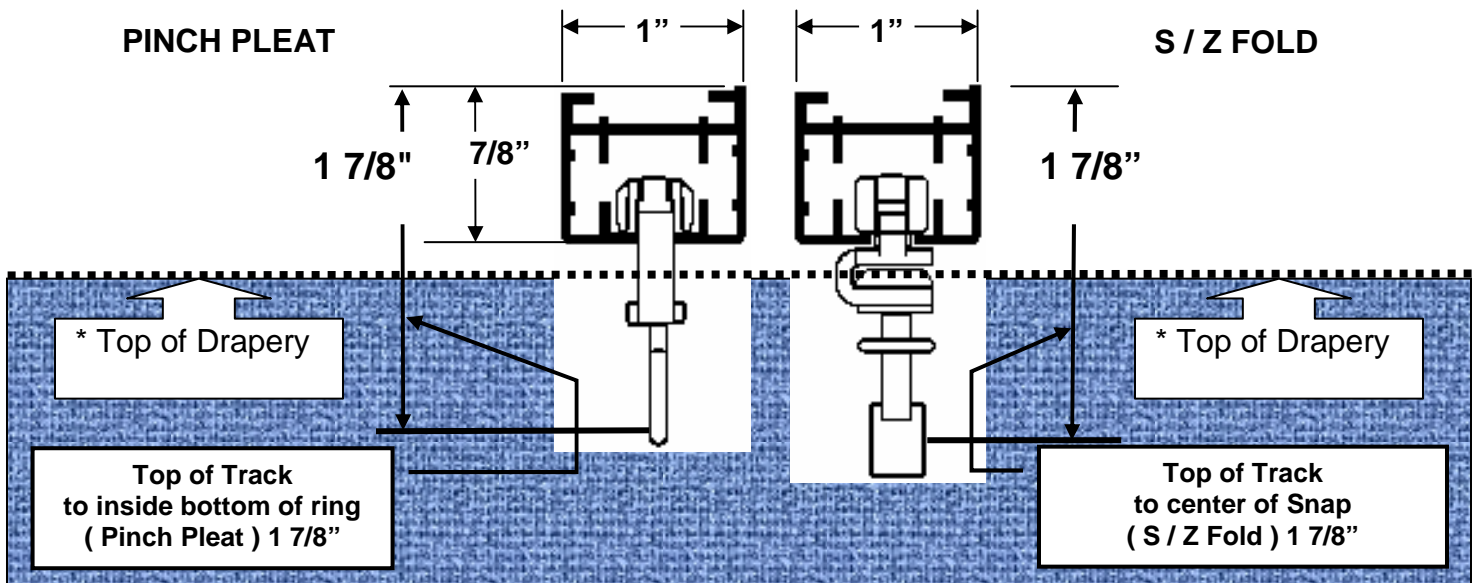
LOAD TABLE MOTORIZED DRAPERY TRACK SYSTEM

Maximum Drapery weight in pounds (* when hung, as specified, below track)

1101.25		1103		
20ft	Chart based on a Minimum 10" Radius @ 90 Degrees ***	10ft	20ft	30ft
60		130	110	105
28		80	70	55
24		75	55	40
30		80	70	55

- Consult Am-Source for track sizes over 30 feet.
- Minimum radius for pinch pleat is 10 inches. (for 8" radius, consult Am-Source)
- Minimum radius for S / Z – fold is 12 inches.
- Consult Am-Source for additional curved track configurations not shown above.

HANGING DRAPERIES



For more information contact:

Am-Source International 1550 Old Rand Road, Unit A Wauconda, IL 60084 Phone: 800.876.7367