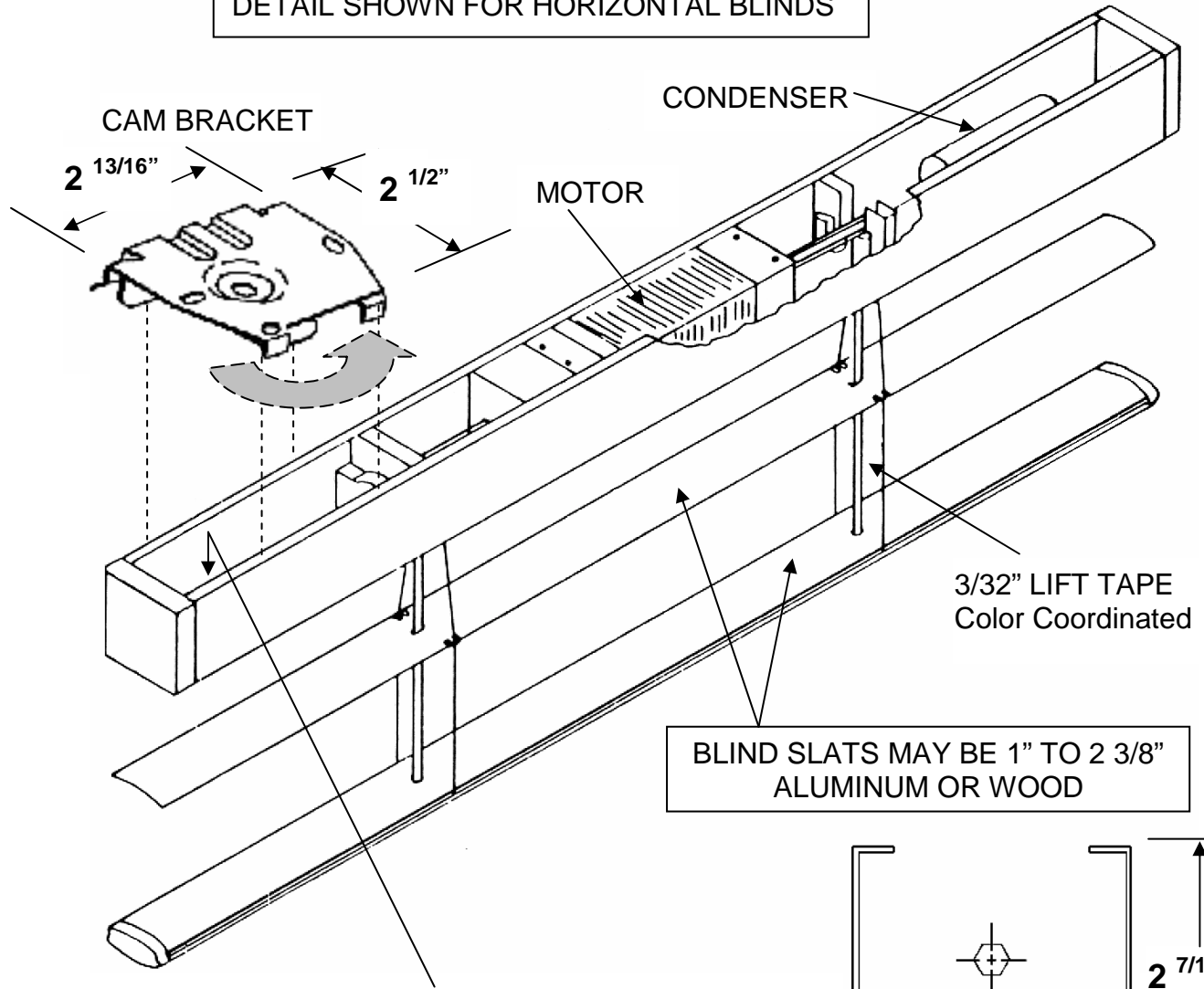
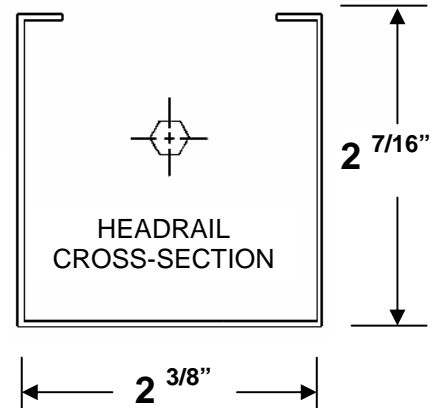


D-8 HEADRAIL

DETAIL SHOWN FOR HORIZONTAL BLINDS



The Am-Source R-1R Control Board, the Am-Source R-1H Wireless Radio Receiver and Control Board, and the MCB.i Motor Control Board all fit inside the D-8 Headrail. These three unique board options, offer control by means of wireless radio remote, wireless infrared remote, dry contact control, and integration with Home Automation Control Systems. 110 Volt line voltage control is standard with Am-Source supplied switch. Power cords may exit "cord right", "cord left", or "cord top" to supply power to motor. 14 ft. cord with molded 3-prong plug is Std. with R-1R or R-1H SEE: R-1R & R-1H for additional information



DO NOT WIRE IN PARALLEL

For more information contact:

Am-Source International 1550 Old Rand Road, Unit A Wauconda, IL 60084 Phone: 800.876.7367